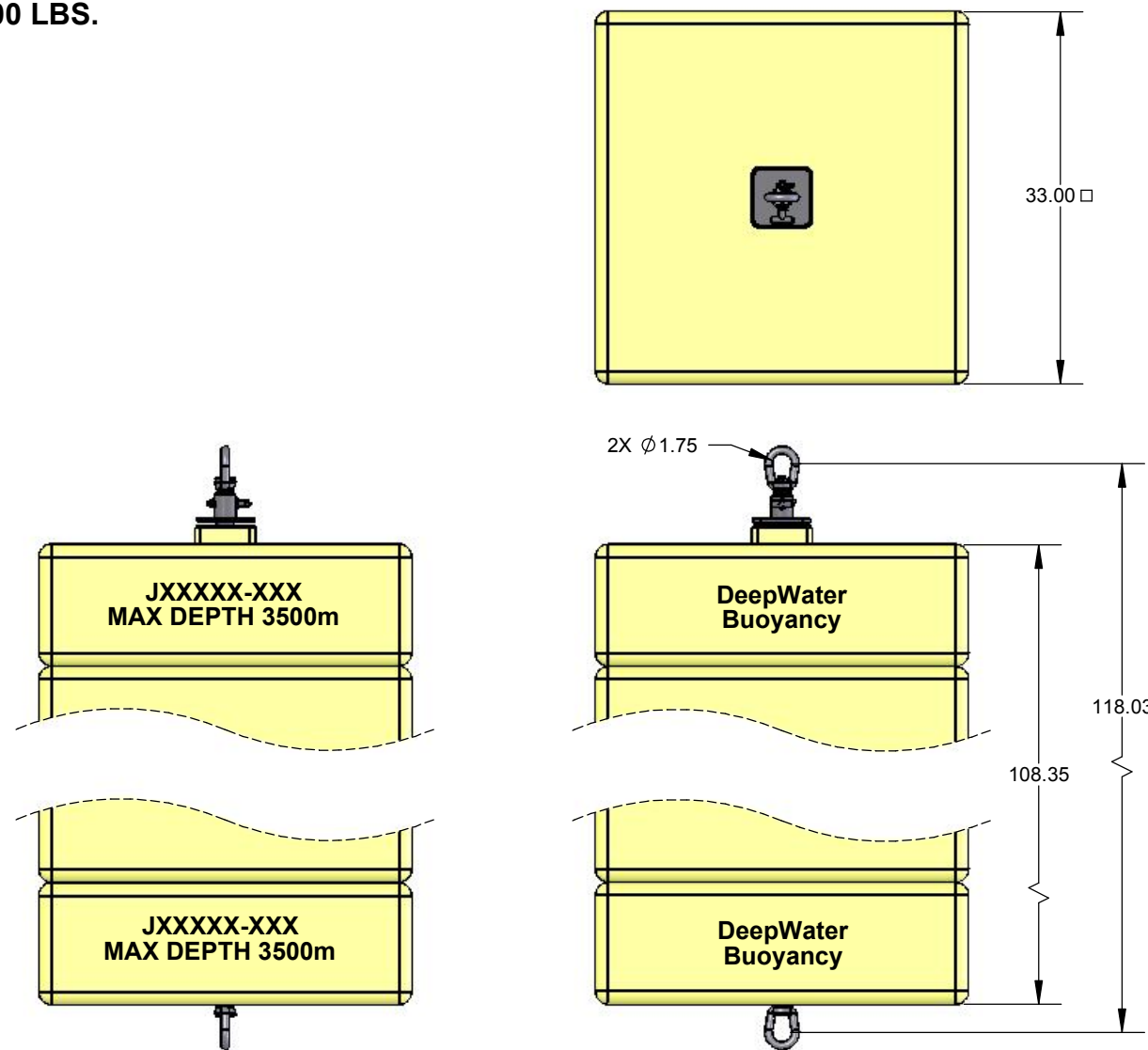
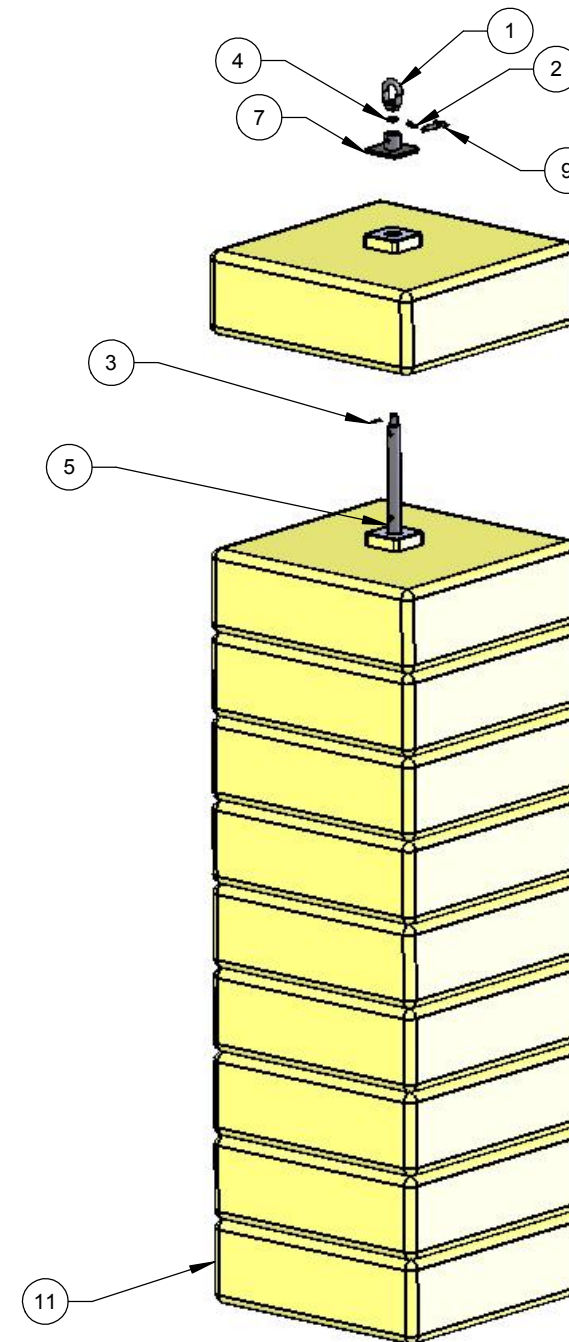


ITEM NO.	Description	Dwg. No.	Rev	Flotec No.	Material	Qty
1	.75" Oval eye nut 5200 Lb WLL	-	A	F04326	Galvanized Steel	2
2	Hairpin cotter pin	-	A	-	Zinc Plated Steel	1
3	Cotter Pin	-	-	-	Zinc Plated Steel; .125 OD x 1.5 Lg	1
4	Lock washer - 3/4"	-	-	F13481	Steel; Zinc-plated	1
5	160 Lb Modular Float System	20393	A	-	1018 STEEL - 53,700 PSI MIN YIELD; 115.35 LG X 1.5 OD	1
7	Modular Lift Rod Flange	20392	A	-	STEEL; 5.0 x 5.0 x .375 THK	1
9	Modular Lift Rod Tee Pin	20391	A	-	CRS; .500 OD x 3.5 LG	1
10	160 Lb Modular Block	20365	A	-	3500-A, 38.7pcf	10
11	160 Lb Modular Block	20365	A	-	FRP; Yellow	10
12	PVC Pipe	-	-	F01367	PVC Pipe; 1.5 ID x 2.0 OD x 13.38 Lg	10

NOTES:
1) ASSEMBLE COMPONENTS AS SHOWN.
2) STENCIL PARTS AS SHOWN.
3) MAX PASS THRU LOAD: 1,500 LBS.



REV.	DESCRIPTION	REVISIONS	DATE	DRAWN BY	CHECKED BY
A	Initial Release		20-APR-15	SCA	



Process: FINAL ASSEMBLY
Next Process: N/A

Measurement	Calculated value (lbs)	Tol (lbs)	Actual MIN	Actual MAX
Buoyancy in SW	1537	+/- 135		
Weight in air	2768			
Buoyancy in FW	1429			

Dimensions - Inches x ± 0.13 x.x ± 0.06 x.xx ± 0.030 x.xxx ± 0.010 x/xx ± 1/8 Angular ± 0.5° UNLESS OTHERWISE SPECIFIED	160 Lb Modular Float System Material: See BOM	 394 Hill St Biddeford, ME 04005, USA Tel: 1-207-502-1400 www.deepwb.com		
	Original Designer: SCA		PROPRIETARY AND CONFIDENTIAL This document contains technical data which is the exclusive property of DeepWater Buoyancy, Inc. and may not be used, copied, disclosed to Third parties or otherwise appropriated without the written consent of DeepWater Buoyancy, Inc.	Dwg. No. 20365
		DO NOT SCALE DRAWING Scale: 1:12	Sheet 4 OF 4	Size: B