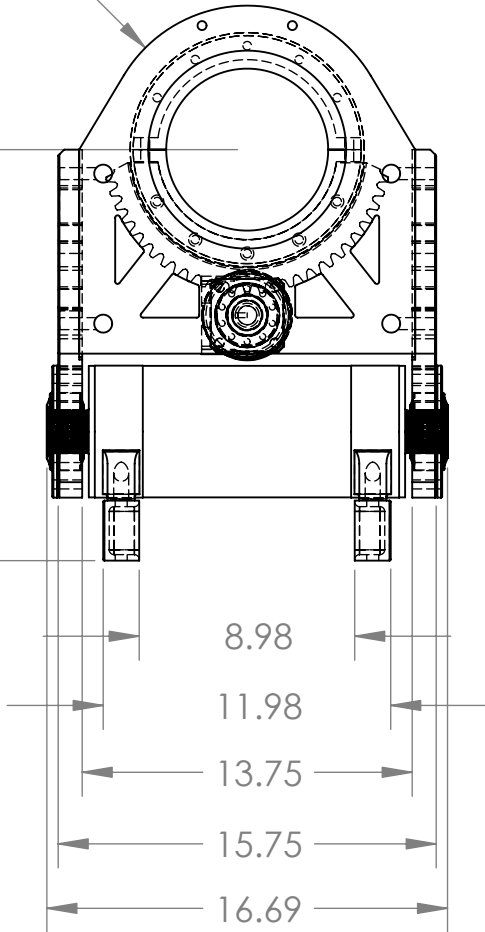
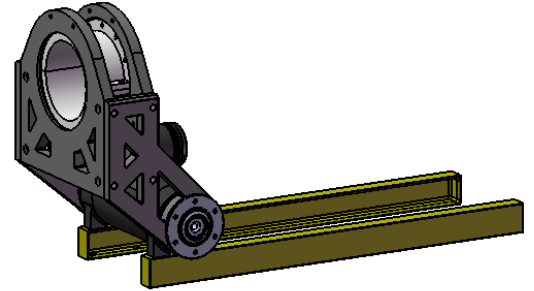
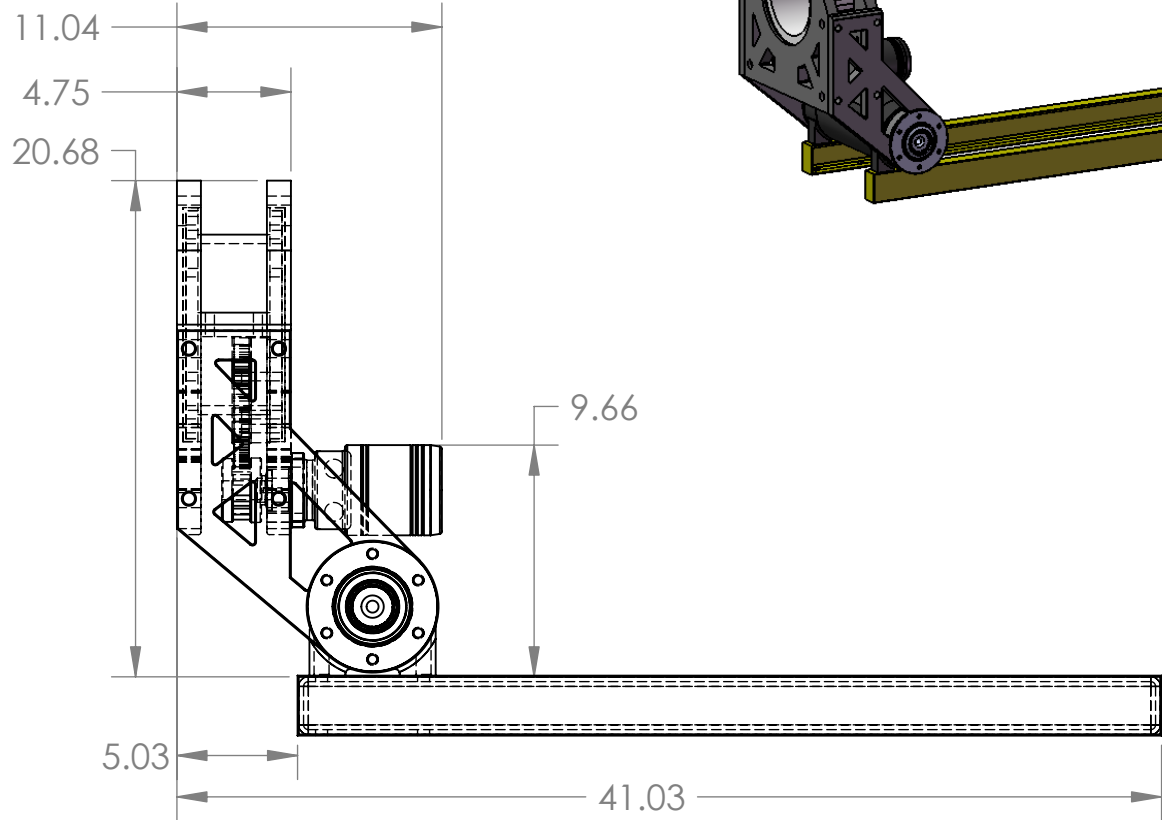


R6.00

17.13



11.04
4.75
20.68



COMMENTS:
Quantity = 1

DO NOT SCALE DRAWING

	NAME	DATE	Emanate Consulting		
DRAWN	SPL	18 Aug 07			
CHECKED			TITLE: HD FLOT GA		
ENG APPR.					
MFG APPR.					
Q.A.			SIZE	DWG. NO.	REV
MATERIAL	T6-6061/SS 316L/ NiAlBz/A36		A	HD FLOT-000-001	
FINISH	Machine/Anodize		SCALE: NTS	WEIGHT:	SHEET 1 OF 1

5

4

3

2

1